

A modern office interior featuring glass partitions and orange chairs. A large yellow diagonal graphic is overlaid on the left side of the image.

Alumil
Building excellence every day

Alumil  Partitions



CONTENTS

SMARTIA PARTITIONS

INTRODUCTION 2

SMARTIA P100 SLIM

GENERAL INFO 8
TECHNICAL CHARACTERISTICS 10
DRAWING SECTIONS 14

SMARTIA P200 SLIM

GENERAL INFO 20
TECHNICAL CHARACTERISTICS 22
DRAWING SECTIONS 24

SMARTIA P150 URBAN

GENERAL INFO 28
TECHNICAL CHARACTERISTICS 30
DRAWING SECTIONS 32

P100 STANDARD 36

P200 STANDARD 38



EMBRACING MINIMALISM IN GLASS PARTITION WALLS

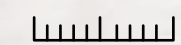
SMARTIA P100 Slim, P200 Slim & P150 Urban are ALUMIL's proposals for minimal partitioning systems of extraordinary performance, ideal for the construction of glass dividers in modern office buildings, meeting rooms, hotels, airports and other special facilities.



Designed to "unify"
separate spaces in style.

BRING LIGHT IN...

KEEP NOISE OUT!



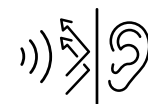
High sturdiness & large dimensions

Despite their minimal design, the aluminium frameworks are characterized by top robustness and allow single-piece constructions of great dimensions, i.e., glass walls from floor to ceiling.



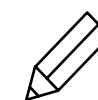
Maximum transparency & lighting

Single or double glazing surfaces, with less visible aluminium, allow the unimpeded diffusion of natural and artificial light. Spaces become easily illuminated, more energy efficient and undoubtedly comfortable to work in.



Top sound insulation

Noisy environments, overcrowded with vibrant meetings can affect workplace concentration. Our partitioning systems guarantee enhanced levels of sound reduction and acoustic privacy, creating quiet zones within your office area (up to 49 dB).



Absolute minimalism and upgraded aesthetics

Straight and thin lines of aluminium create unnoticed frames and grids, offering elegant proposals for modern office premises. Less aluminium, more style!



Wide range of technical solutions

These three versatile series allow the creation of complex typologies (e.g., "T" or "cross" structures), with adjustable corners, closed or open-air glass walls and functional doors.



THREE DISTINCT SERIES TO MEET ALL PROJECT NEEDS

> SMARTIA P100 Slim

The main proposal for glass partitions of minimal design, ideal for modern office buildings. A very useful tool for architects, with a wide range of technical solutions to meet complex project needs.



> SMARTIA P200 Slim

Double glazed partitioning system with unframed glass panels, firmly attached to the aluminium framework. The subframe stays concealed (structural), thanks to the perimetrical ceramic coating.

> SMARTIA P150 Urban

Single glazed glass walls, framed around with aluminium profiles at different levels. The series allows the creation of profile grids with a distinguishing steel look; a unique proposal for the interior design.



Alumil SMARTIA
P100 Slim

Minimal glass walls,
ideal for boosting working
productivity and creativity

SMARTIA P100 Slim is a **minimal aluminium-framed** office partition with double glazing. **High aesthetics** and a **wide range of sturdy applications** upgrade the working conditions.

DIVIDE SPACES EFFICIENTLY

ENJOY PRIVACY



ADVANTAGES

- Very thin aluminium profiles and well decreased sight lines to enhance lighting levels.
- Attention to detail, to achieve highly stylish result.
- High sound insulation for comfortable working conditions.
- Technical complexity, e.g. adjustable corner, thanks to additional aluminium profiles.
- Concealed and robust aluminium framework to allow constructions of large dimensions, from floor to ceiling.



Alumil SMARTIA P100 Slim

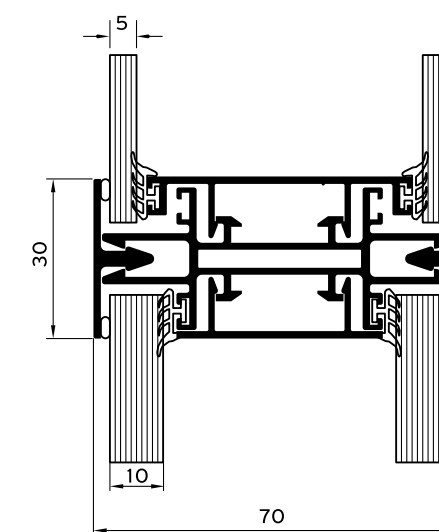
TECHNICAL

CHARACTERISTICS

- Visible face width 30 mm & basic depth 70 mm.
- Door sash of same thickness (30 mm).
- ALUMIL design handle & hinge set (up to 80 Kg per sash).
- Double glazing from 5+5 mm to 10+10 mm thickness.
- Sound reduction 47 dB (fixed) & 42 dB (door).
- Max door dimension, up to 1.0 x 2.7 m.

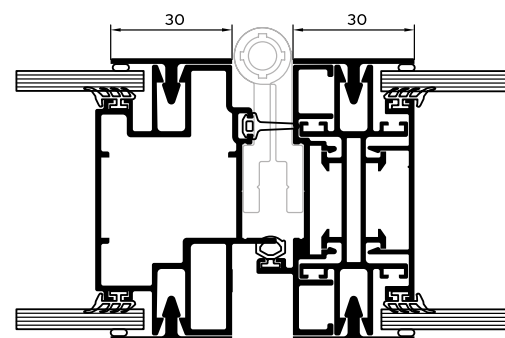


GLASS WALL DETAIL

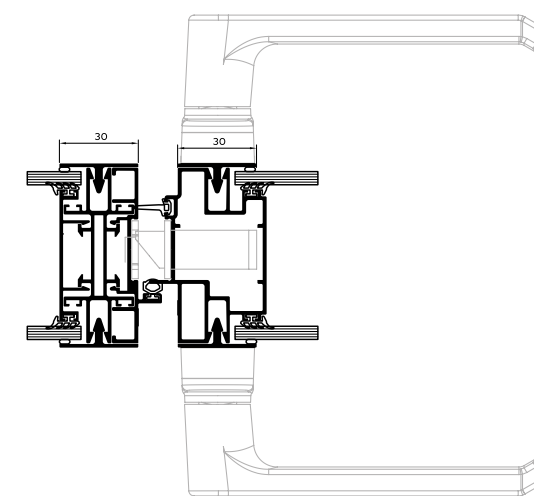




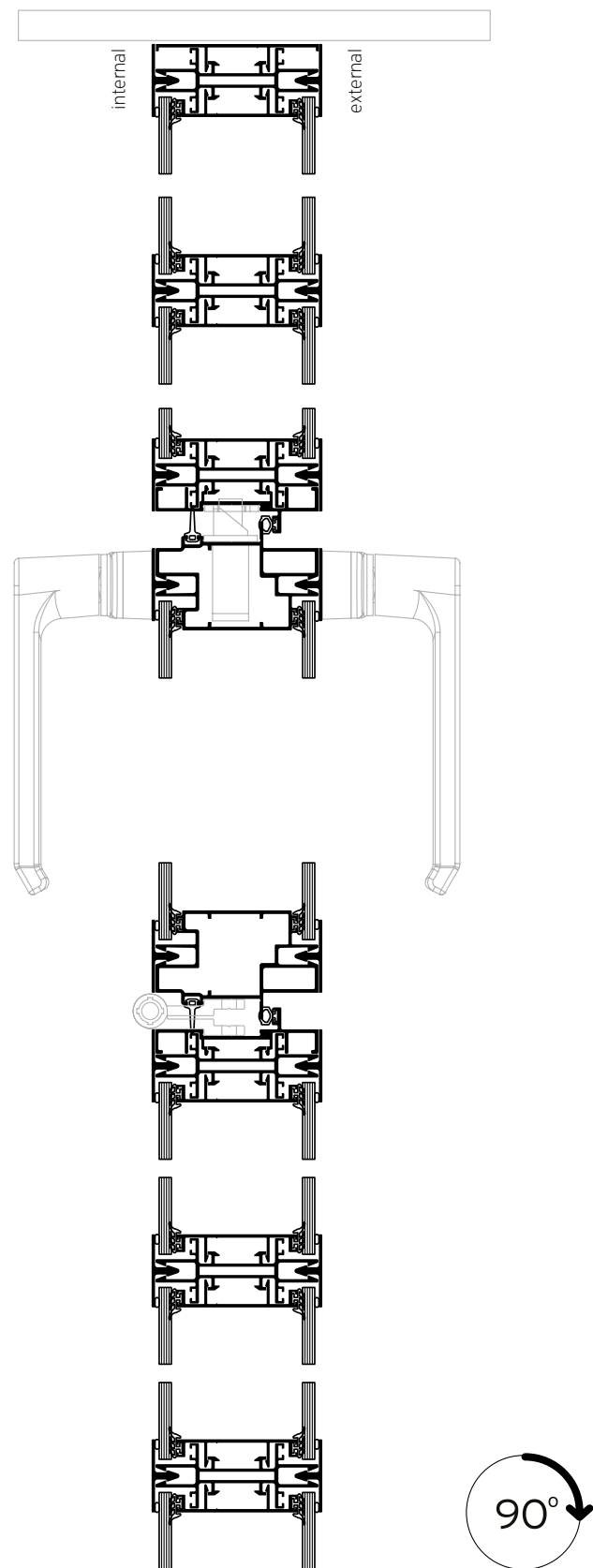
DOOR HINGE DETAIL



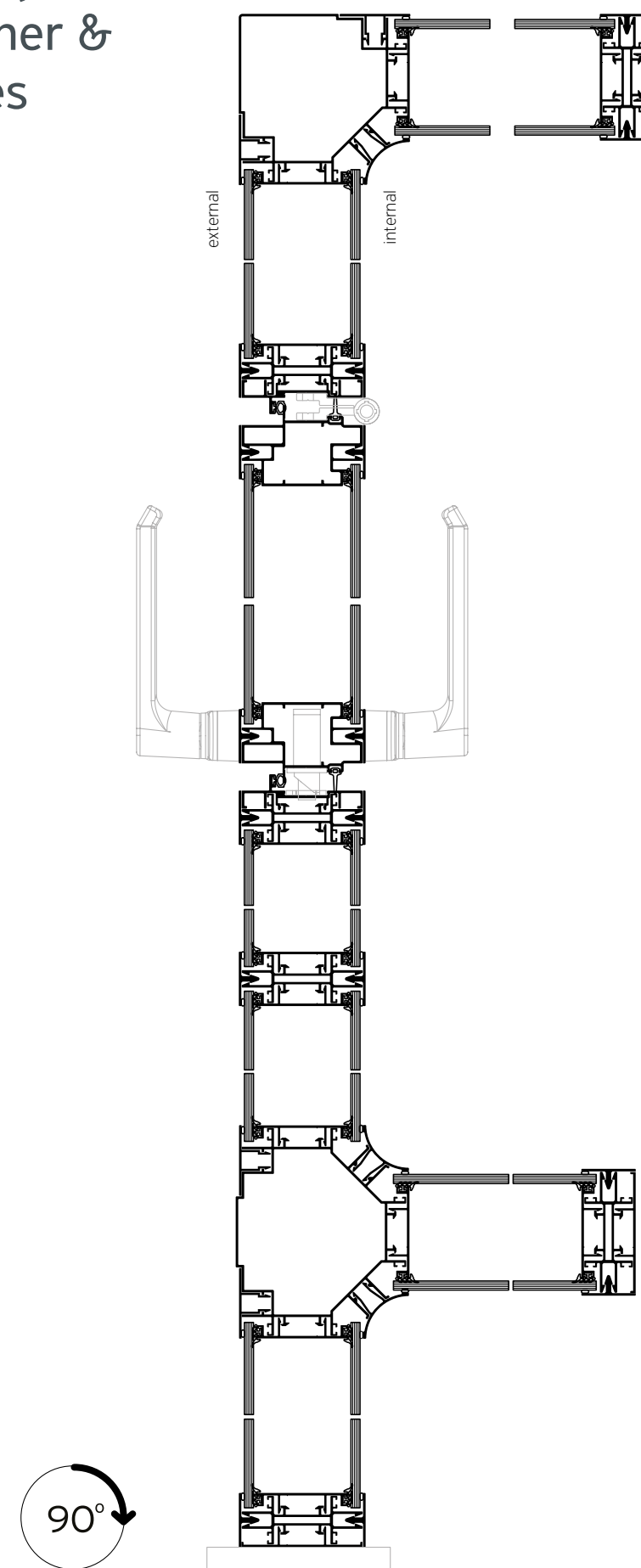
DOOR HANDLE DETAIL



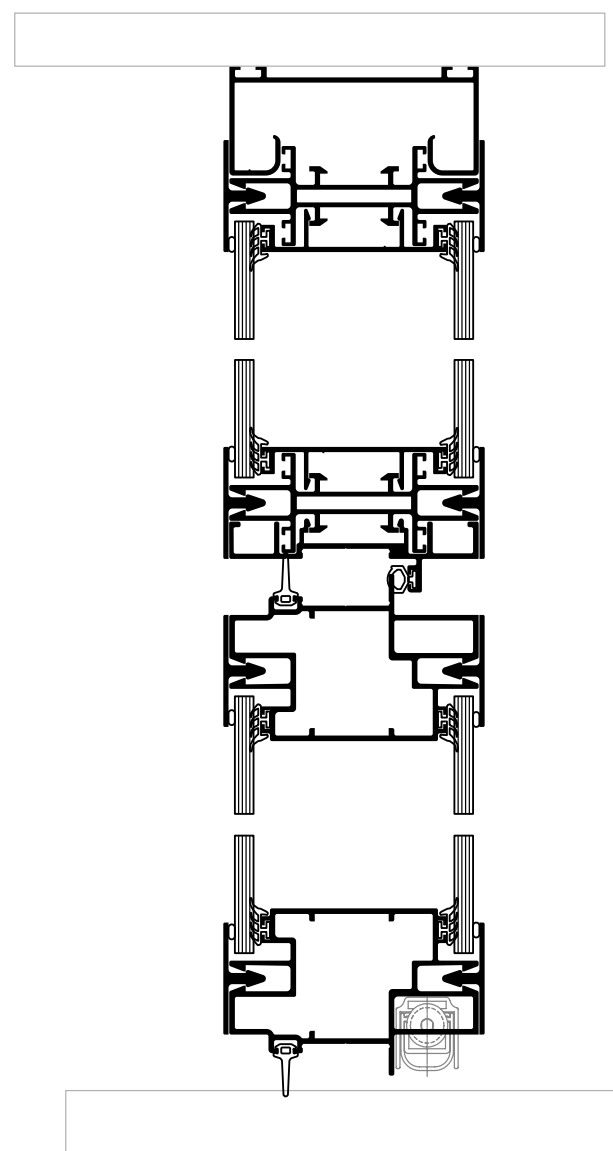
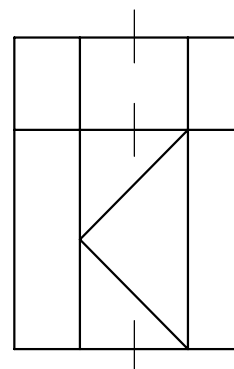
Fixed parts with hinged door panel



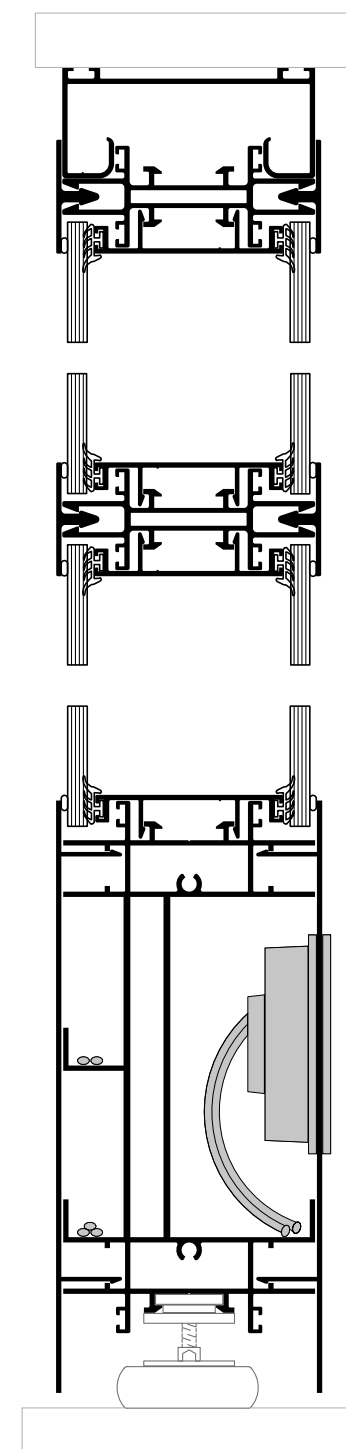
Fixed parts with hinged door panel and corner & "T" shape structures



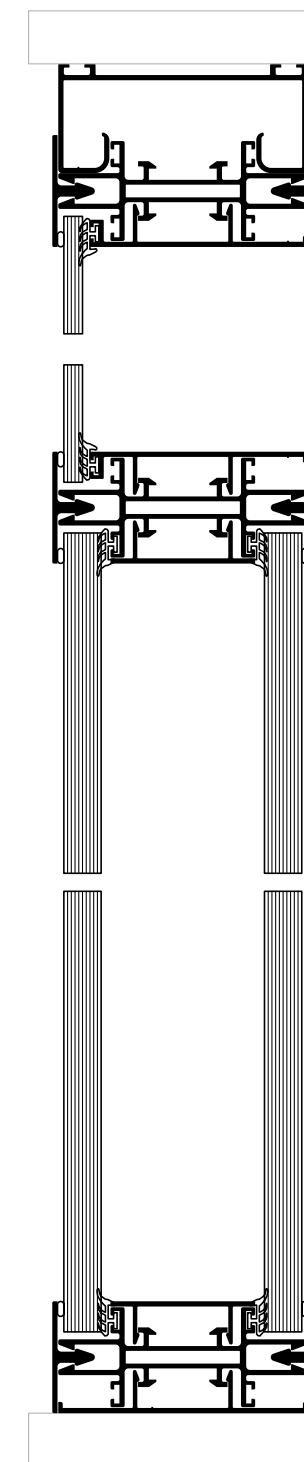
Vertical section of hinged door with fanlight



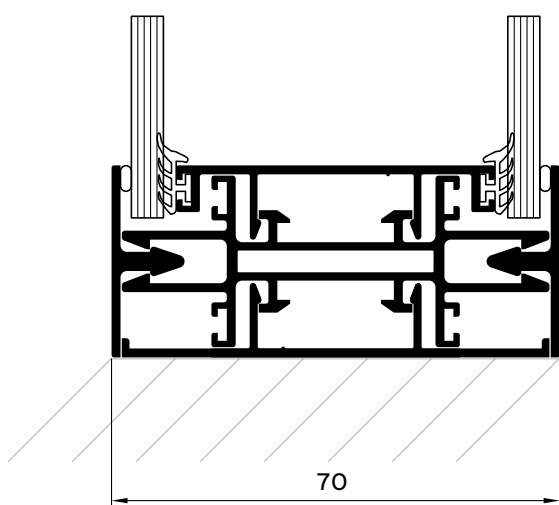
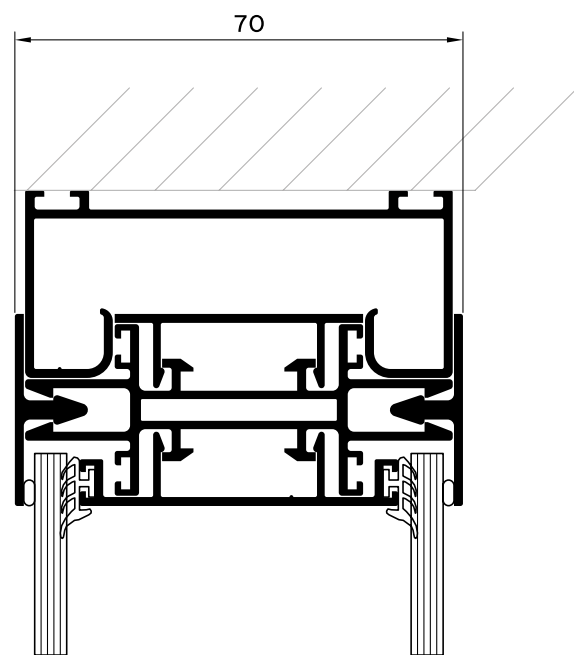
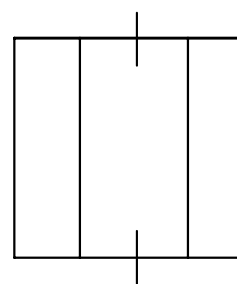
Vertical section of fixed walls and kicking plate (wiring)



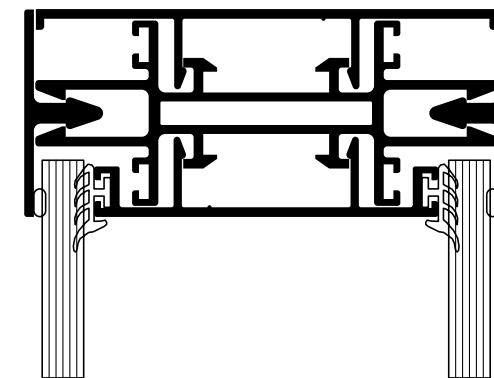
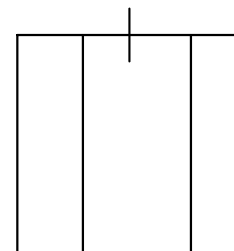
Single and double glazing



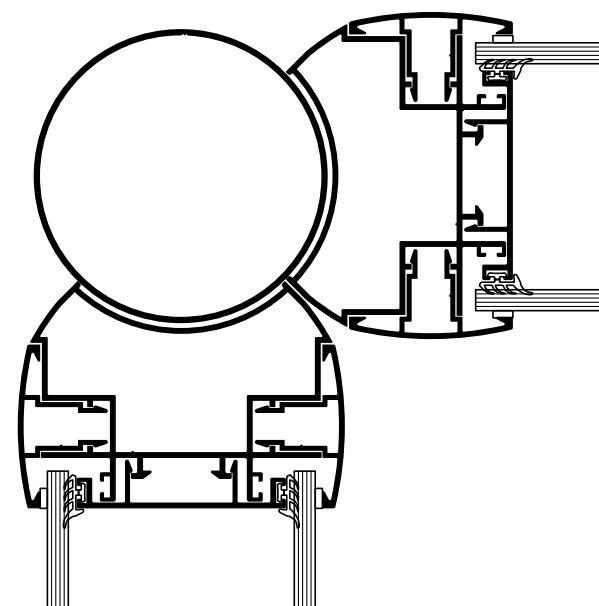
Glass wall
(floor to ceiling)



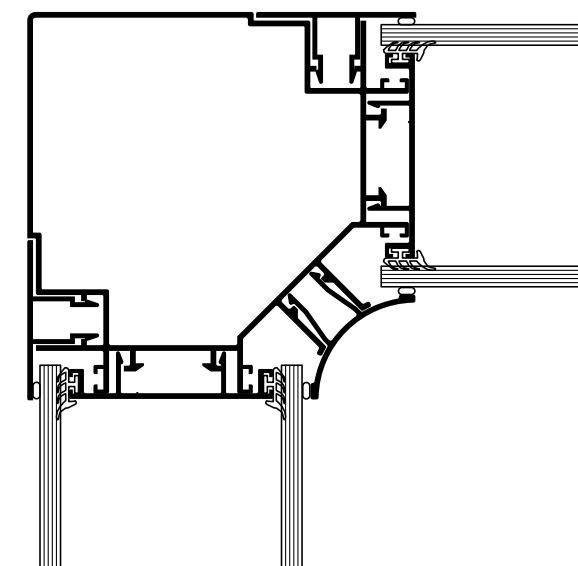
Open - air



Adjustable Corner



Fixed corner



Alumil SMARTIA
P200 Slim

SMARTIA P200
Slim is a **structural
partitioning system**

with **large glass panels** hanging on the
concealed aluminum framework, at both sides.

STRUCTURAL ELEGANCE FOR TOTAL TRANSPARENCY

The series offers **sound-insulated
spaces** for concentration, **rich lighting**
and **undoubtedly modern aesthetics**.

ADVANTAGES

- Modern aesthetics with fully glazed wall surfaces (structural).
- Minimal design thanks to the very thin lines (49 mm).
- High sound insulation for comfortable working conditions.
- Possibility of complex typologies, e.g., cross or "T" shape structures.
- Concealed and robust aluminium framework to allow large dimensions.

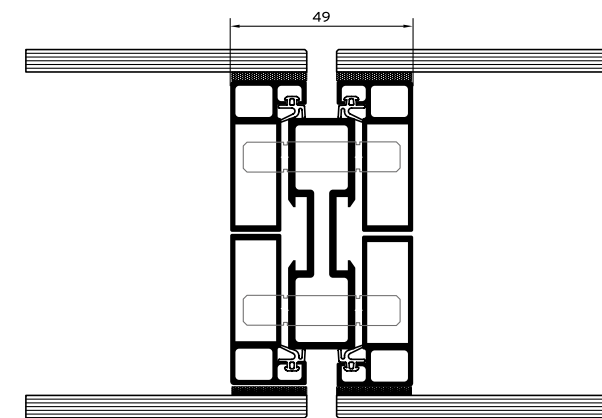


Alumil SMARTIA
P200 Slim

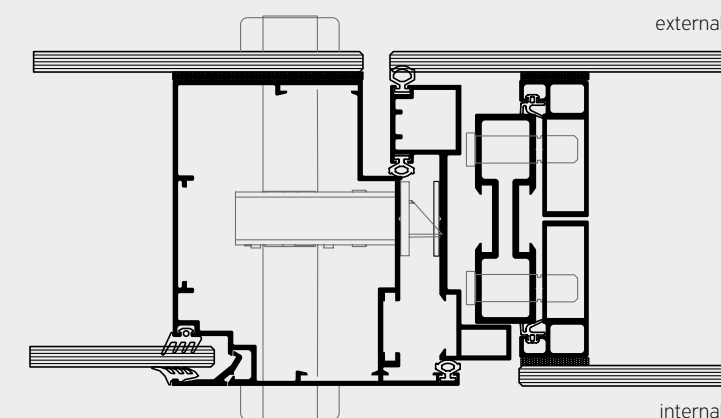
TECHNICAL

CHARACTERISTICS

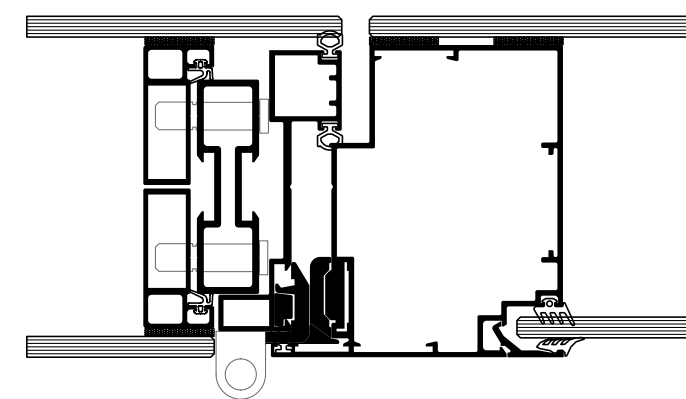
GLASS WALL DETAIL



DOOR HANDLE DETAIL

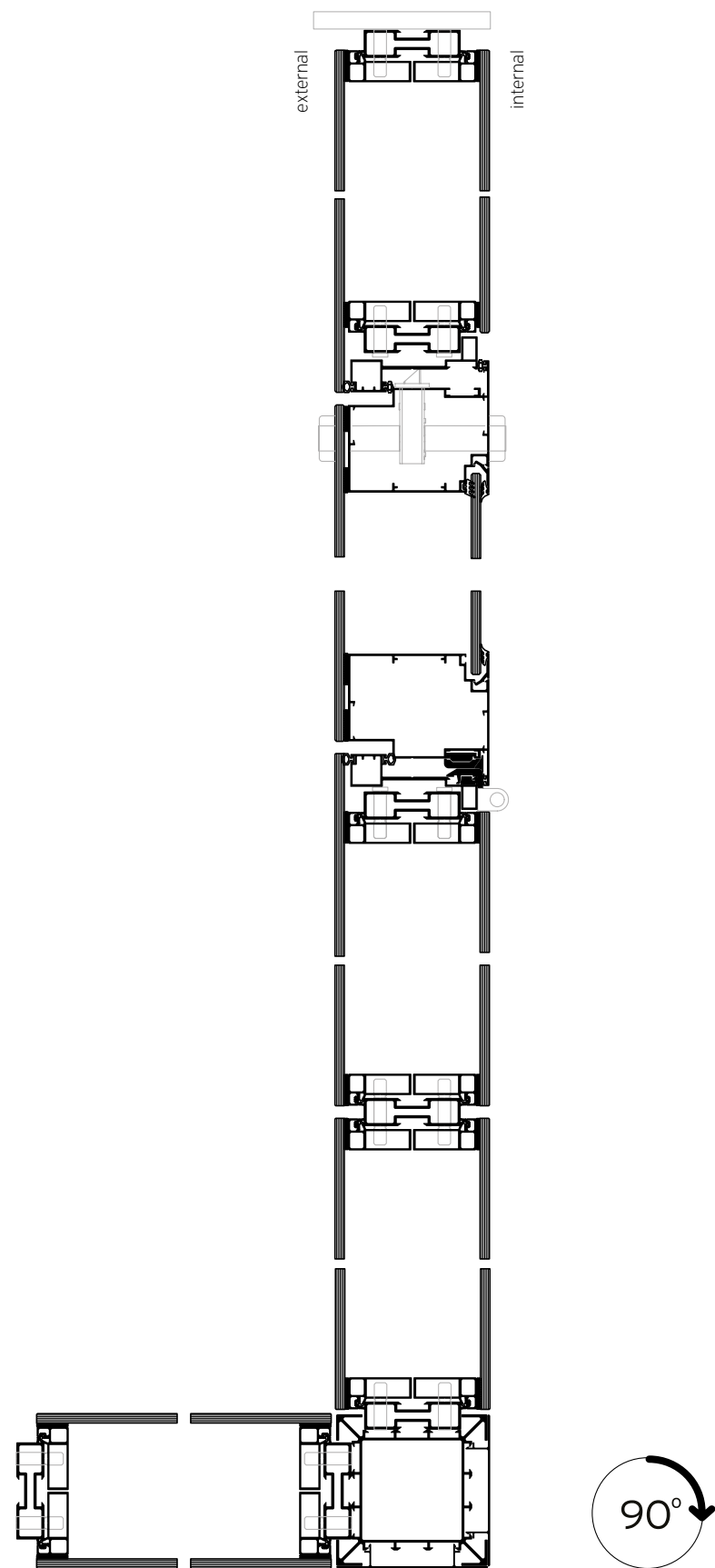


DOOR HINGE DETAIL

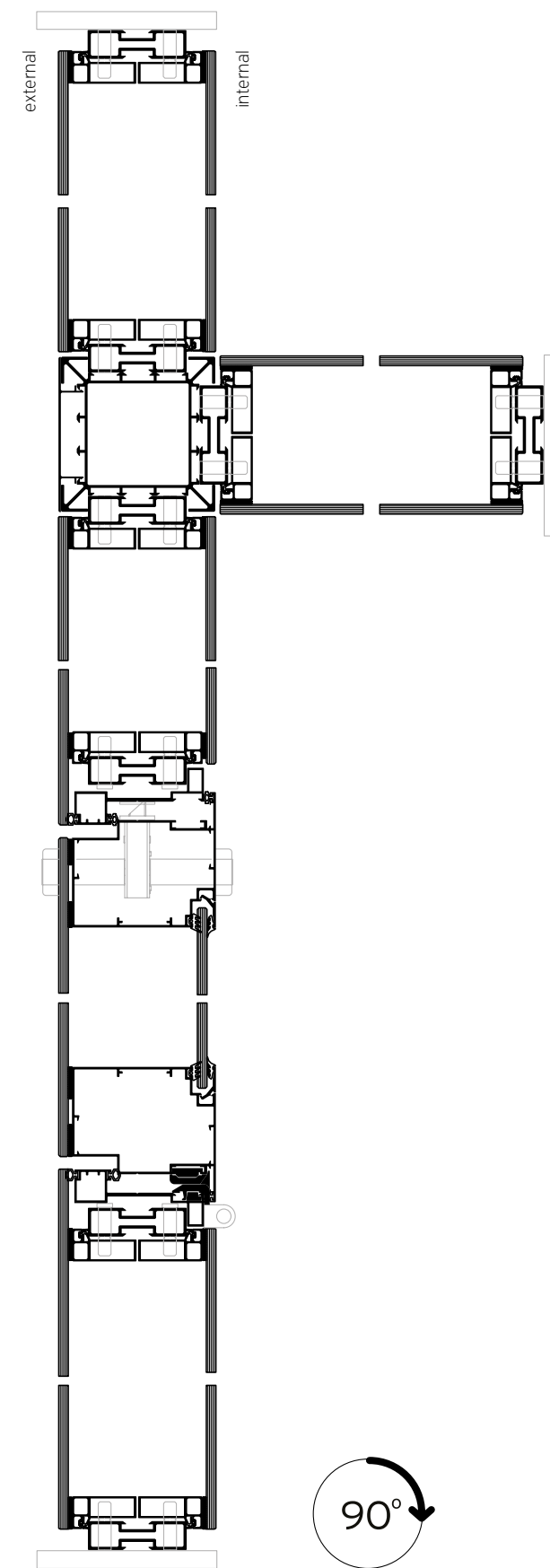


- Visible face width 49 mm and basic depth 98 mm (depending on the glass thickness).
- ALUMIL design handle & hinge set (up to 80 Kg per sash).
- Sash with one structural side and one with glazing bead.
- Sound reduction 49 dB (fixed) & 38 dB (door).
- Max door dimensions, up to 1.0 x 3.0 m.

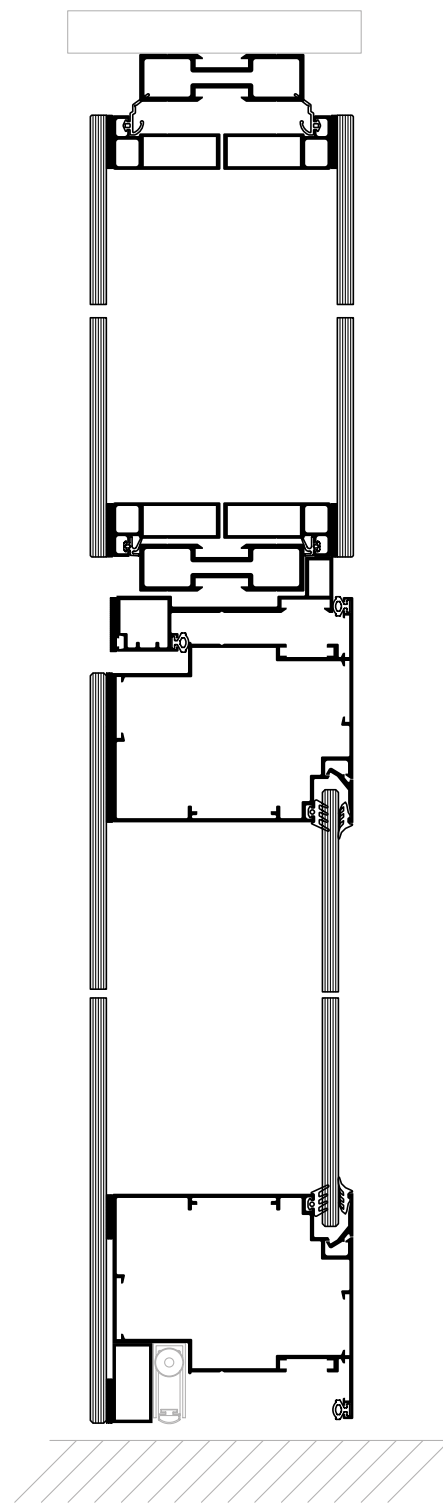
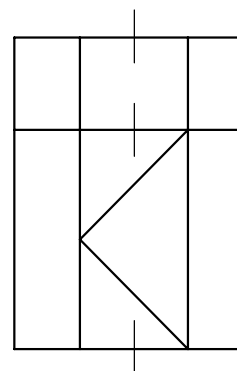
Fixed parts with hinged door panel and corner construction



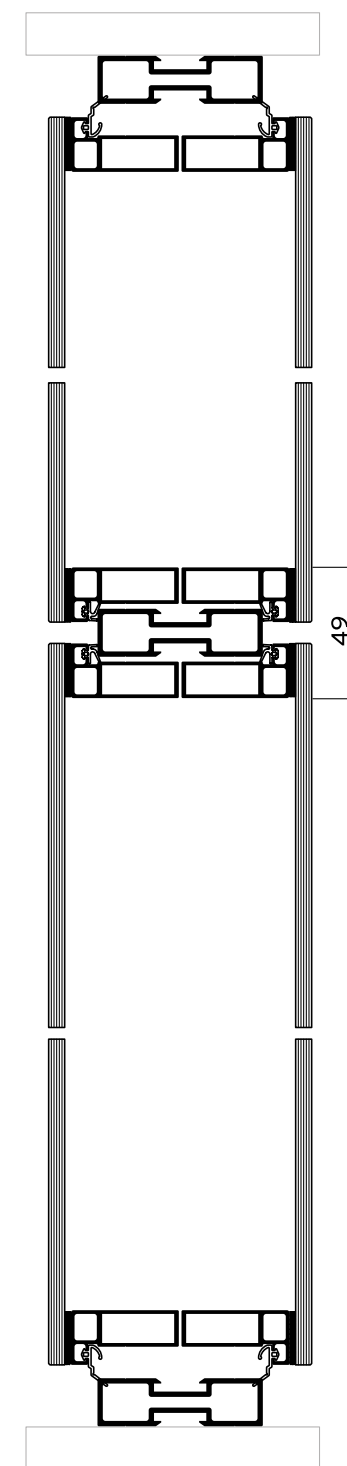
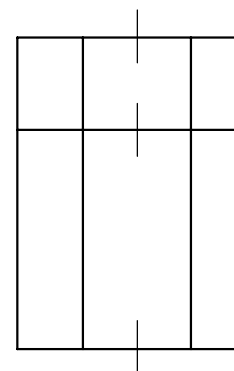
Fixed parts with hinged door panel and "T" shape construction



Vertical section of
door with fanlight



Vertical section of
fixed wall with fanlight



Alumil SMARTIA
P150 Urban

SMARTIA P150 is an
additional proposal
for office partitions,

which consists of single glass panels, firmly fixed on a “multi-leveled” aluminium framework. **Quite light and with small or larger frames,** the series has a distinguishing **“Steel Look”**.

OFFICE PARTITIONS,

UNIQUE IN STYLE



ADVANTAGES

- Unique design for modern office facilities.
- Quite robust for floor-to-ceiling constructions.
- Sufficient sound insulation.
- Possibility of complex typologies, e.g., cross or “T” shape structures.

STEEL LOOK

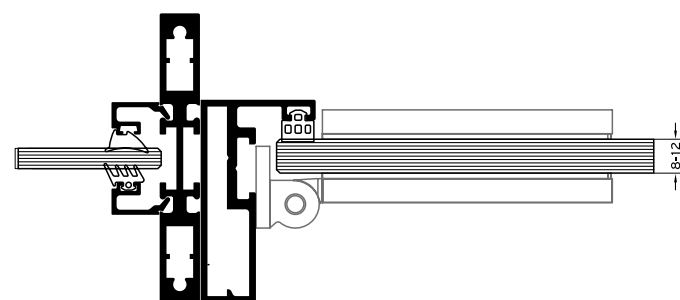




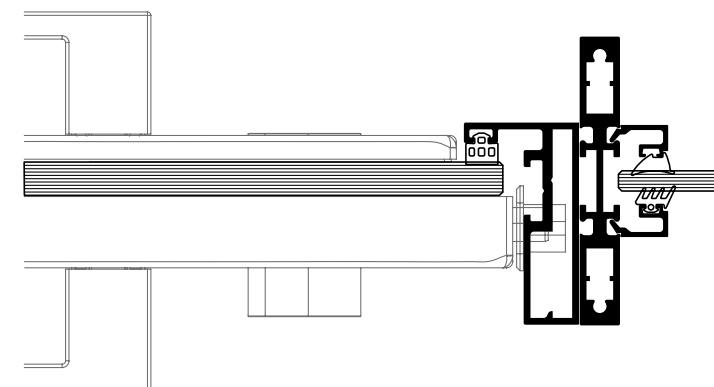
- Visible aluminium face width 40 mm.
- Fixed walls with 6mm glass thickness.
- Frameless glass door of 10mm thickness, up to 1.0 x 2.6 m.
- Special handle & hinges set (up to 65 Kg per sash).
- Combined with P100 mullions for complex typologies (i.e., "T" shape).
- Sound reduction 34 dB.



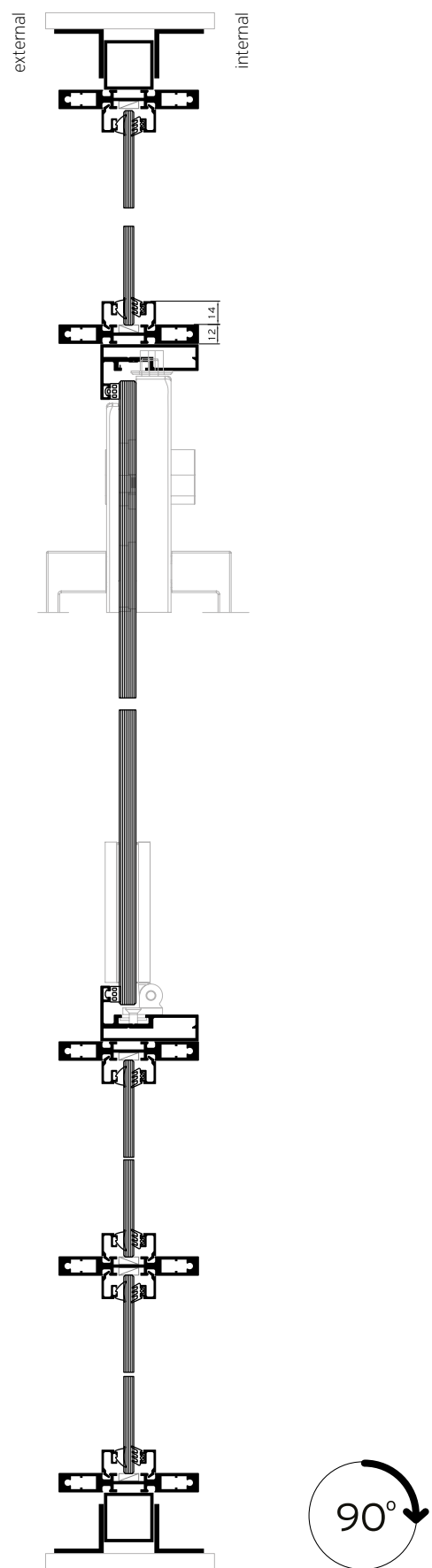
HINGE DETAIL



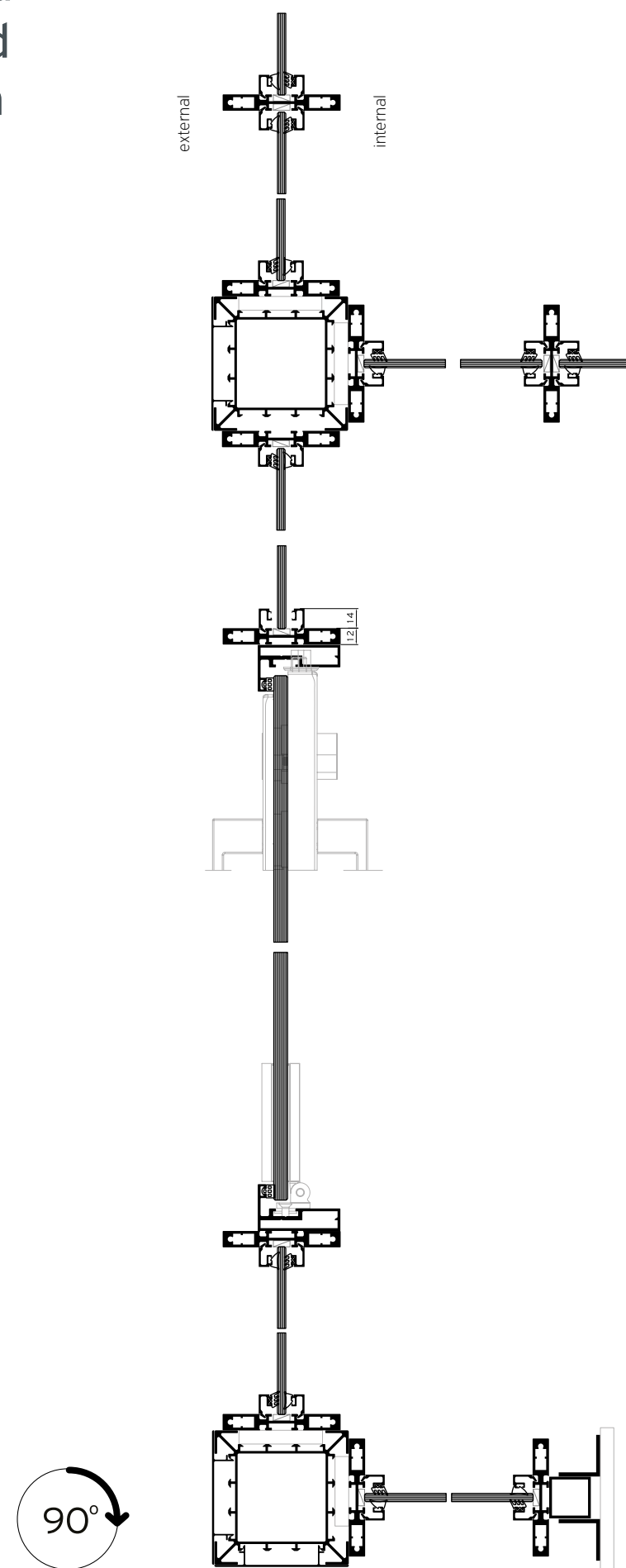
HANDLE LOCK DETAIL

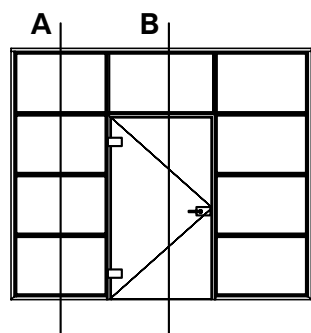


Fixed parts with hinged glass panel

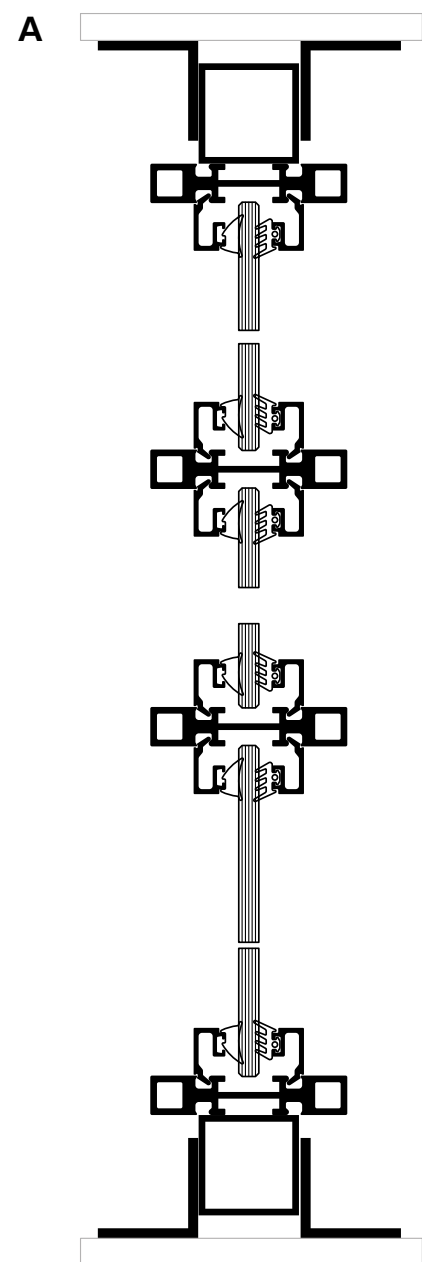


Fixed parts with hinged glass panel, corner and "T" shape construction

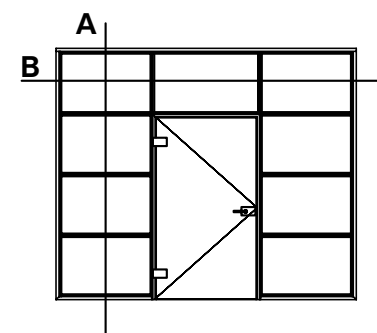
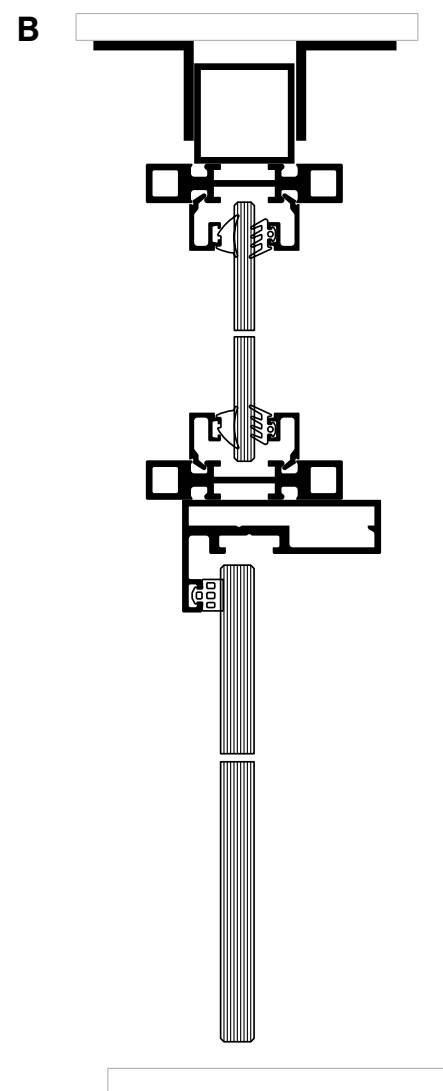




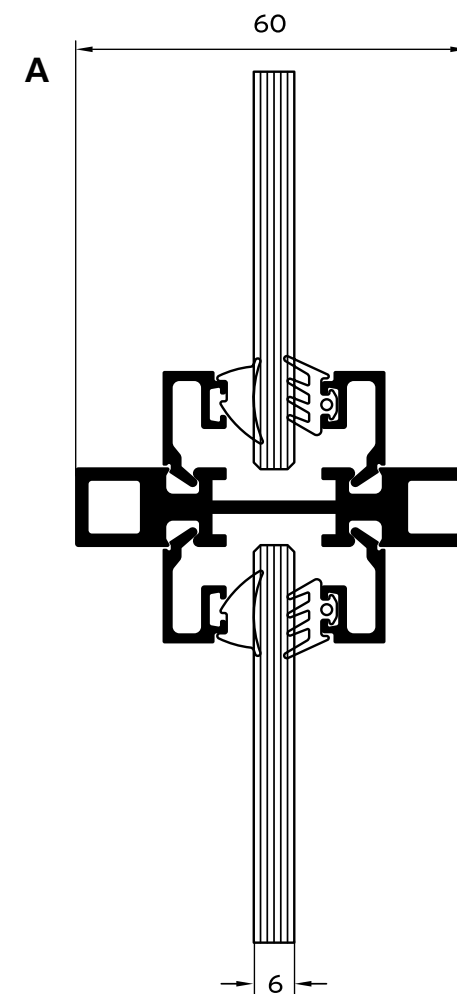
Vertical section of triple



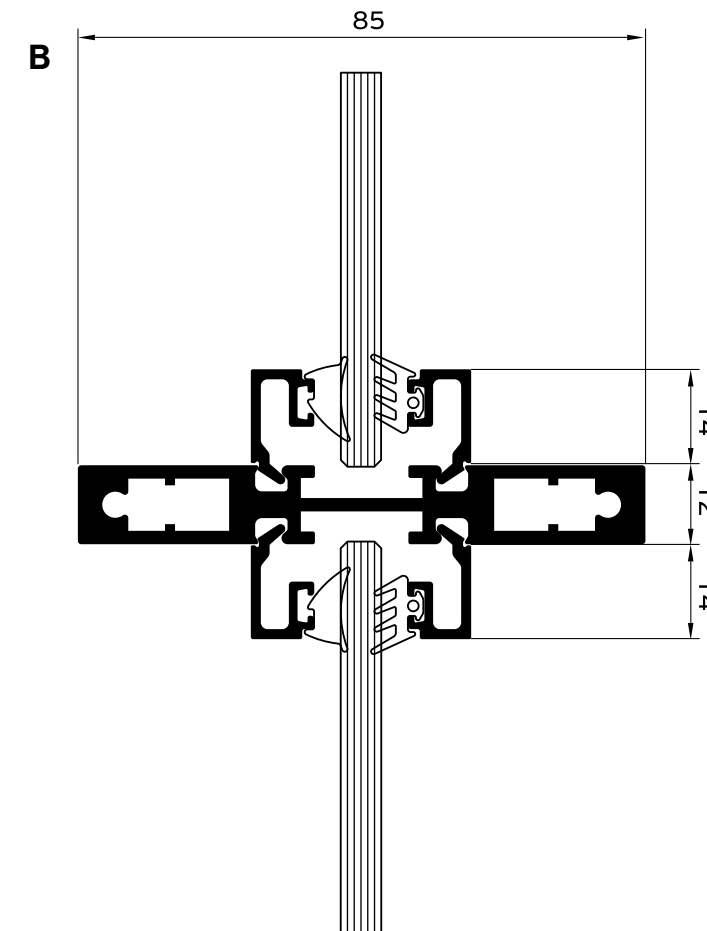
Vertical section of door with fanlight



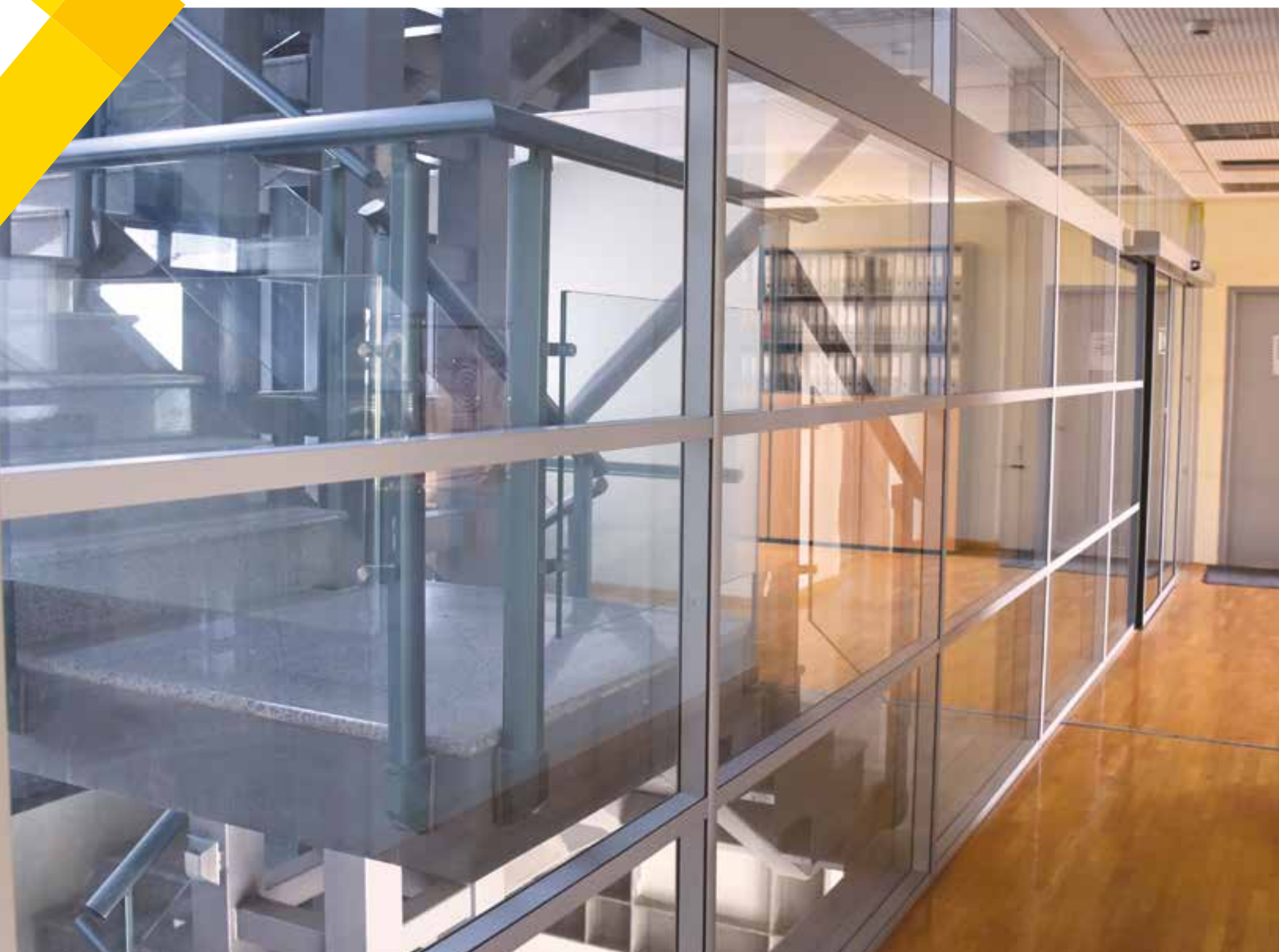
Horizontal transom



Vertical transom



Alumil > SMARTIA
P100 Standard



SMARTIA P100 Standard is a classic interior partitioning system in **straight** and **thin lines**,

a bit wider than its slim version, P100 Slim (39 instead of 30mm). The series offers solutions **widely implemented** for offices, meeting rooms and banqueting, and wherever partitioning is a matter of purpose and style.



TECHNICAL CHARACTERISTICS

- Visible face width 39 mm & basic depth 70 mm.
- Door panel variety, i.e., flat and curved aluminium, wooden or frameless.
- Double glazing, 5+5 up to 10+10mm.
- Sound reduction 45 dB.
- Max door dimensions, up to 1.0 x 2.6 m.



Alumil SMARTIA P200 Standard

SMARTIA P200 Standard is a partitioning system with **elegant lines** and **high aesthetics**,

ideal for **modern business premises**. Its face width is larger than its slim version (90 mm instead of 49 mm),

but with **greater sturdiness** and **variety on door panels** (structural, semi-structural, etc.).



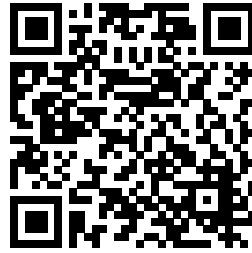
TECHNICAL CHARACTERISTICS

- Visible face width 90 mm and basic depth 98 mm (depending on the glass thickness).
- Door with one or both-sided structural design.
- ALUMIL design handle & hinge set (80 Kg per sash).
- Complete variety of typologies, cross and "T" shape structures included.
- Sound reduction 42 dB.
- Max door dimensions, up to 1.0 x 3.0 m.



www.alumil.com

DISCOVER MORE:



**ALUMIL
MIDDLE EAST DMCC**

MAZAYA BUSINESS AVENUE BB1
29TH FLOOR, OFFICE #2907
JUMEIRAH LAKES TOWERS, DUBAI, UAE
TEL.: +971 4 4425930
FAX: +971 4 4416528
EMAIL: marketing.uae@alumil.com
www.alumil.ae

**ALUMIL
HEADQUARTERS**

KILKIS INDUSTRIAL AREA
KILKIS - GR 61100
TEL.: +30 23410 79300
FAX.: +30 23410 71988
E-MAIL: info@alumil.com



**ALUMIL
MIDDLE EAST DMCC**

MAZAYA BUSINESS AVENUE BB1
29TH FLOOR, OFFICE #2907
JUMEIRAH LAKES TOWERS,
DUBAI, UAE
TEL.: +971 4 4425930
FAX: +971 4 4416528
EMAIL: marketing.uae@alumil.com

**ALUMIL
HEADQUARTERS**

KILKIS INDUSTRIAL AREA
KILKIS - GR 61100
TEL.: +30 23410 79300
FAX.: +30 23410 71988
E-MAIL: info@alumil.com

www.alumil.ae

alumil